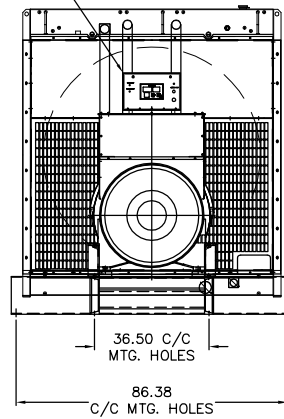
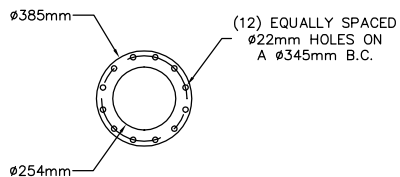
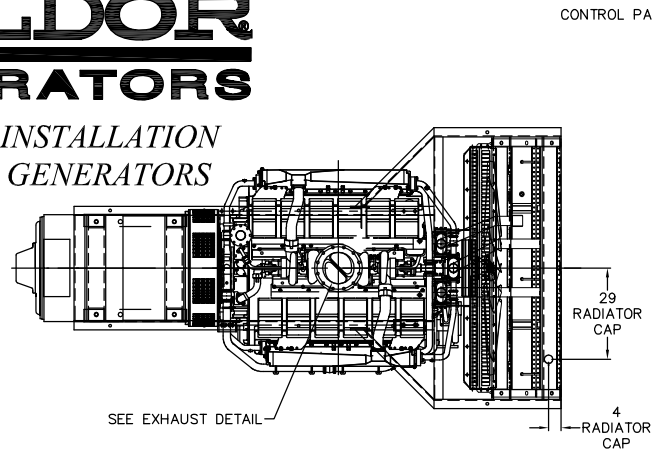


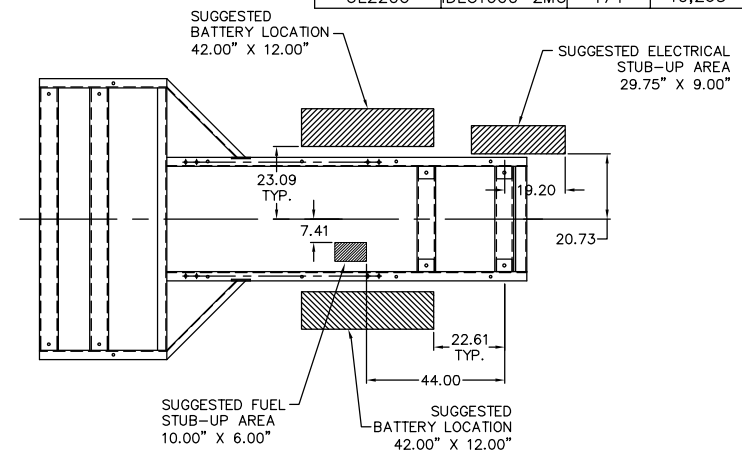
# BALDOR GENERATORS

## GENERAL INSTALLATION FOR IDLC GENERATORS

MODEL STYLE	MODEL #	OVERALL LENGTH L	WET WEIGHT (#) ±5%
STANDARD	IDLC1000-2M	169	18,170
UL2200	IDLC1000-2MU	174	19,265

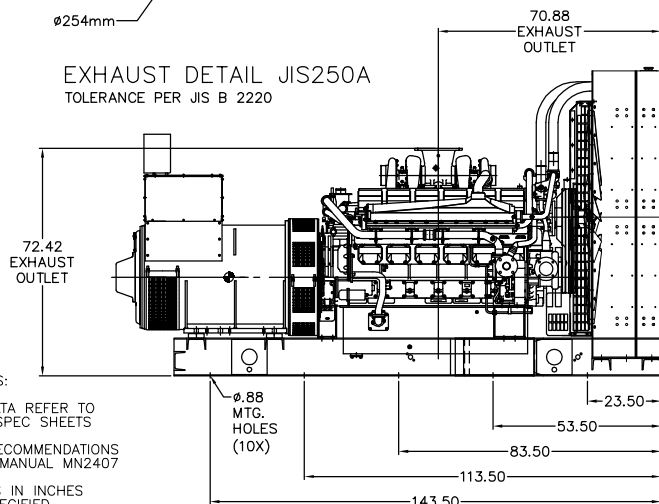


REAR VIEW

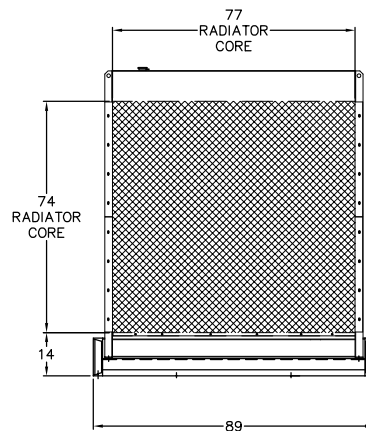


PLAN VIEW OF BASE ONLY

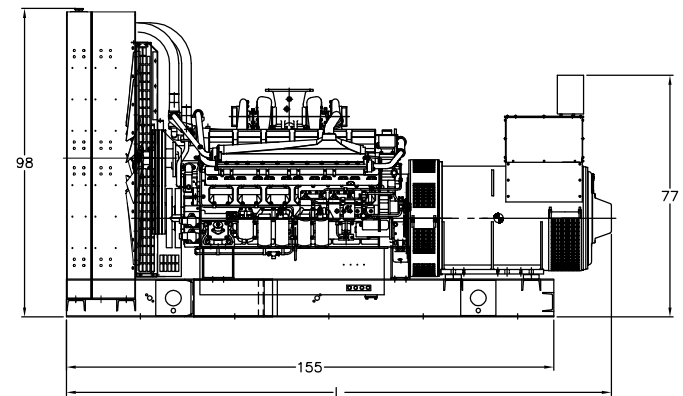
### EXHAUST DETAIL JIS250A TOLERANCE PER JIS B 2220



RIGHT VIEW



FRONT VIEW



LEFT VIEW

NOTES:

FOR PRODUCT DATA REFER TO BALDOR MODEL SPEC SHEETS

FOR INSTALLATION RECOMMENDATIONS REFER TO GEN SET MANUAL MN2407

ALL DIMENSIONS IN INCHES UNLESS SPECIFIED

ALL WEIGHTS IN POUNDS

DRAWING TO SCALE

TOLERANCES UNLESS OTHERWISE SPECIFIED  
DECIMALS .XX ±.25 FRACTIONS ±1/4

WEIGHTS SHOWN ARE TYPICAL

REV. DESC: NEW	VERSION: 00	TDR: 000000456525
REV. LTR: -	REVISED: 08:57:45 05/28/2008	BY: PGMICB0
FILE: \PGA\00012\255	TAB: OPEN_1000	
MTL: -		

**BALDOR • DODGE • RELIANCE**

IDLC 600-2000

SH 2 of 9